



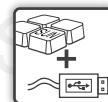
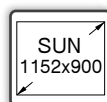
# KSR-11701-SUN

1U rack mount 17" TFT console Support Sun resolution

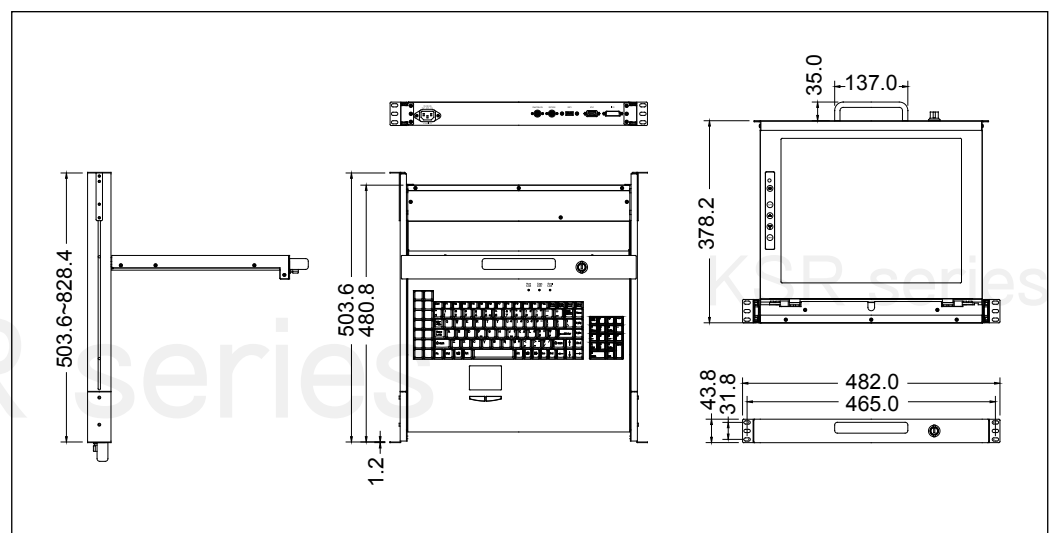
KSR-11701-SUN is cost efficiency industrial level input solution, easy to install and use. KSR-11701-SUN provide optimize your space utilization by controlling your system in just 1U rack space.

## Features

- Single Rail easy to install and use
- Support 16 various keyboard languages
- Bright Active Matrix TFT Display
- OSD function (On Screen Display) for LCD display
- Durable keyboards (touchpad)
- Panel protected by tempered glass
- Audio Function (optional)
- DC power (optional)
- Support DVI (optional)



## Dimension and diagram



## Specification



<b>Model Name</b>	KSR-11701-SUN
<b>Number of ports</b>	1
<b>Dimension</b>	447.5x482x44mm/17.6x19.0x1.7in
<b>Package Dimension</b>	564x678x206mm/22.2x26.7x8.1in
<b>Net Weight</b>	13.0Kg / 28.7Lb
<b>Gross Weight</b>	17.0Kg / 37.5Lb
<b>Display Size</b>	17"
<b>Panel Type</b>	Active Matrix TFT LCD
<b>Resolution Capabilities</b>	Maximum Resolution up to 1280X1024 (SXGA)
<b>Pixel Pitch</b>	Supports 0.264mm x0.264mm
<b>Viewing Angle (CR&gt;10)</b>	Right-Left view 60°~70° (Typ) Up-Down View 45°~60° (Typ)
<b>Contrast Ratio</b>	450:1
<b>Brightness</b>	White 250cd/m2 (Center 1 point Typ)
<b>Back Light</b>	Four Lamps for Back Light
<b>Supported Colors</b>	16.2M Colors (6-bit with FRC)
<b>Response Time</b>	Rising Time 2ms , Decay Time 14ms
<b>Operating System</b>	Dos, Windows (3.1, 9x, 2000, NT4, ME, XP, 2003 Server) Linux, Novell 3.12-6, HP UX, SUN
<b>Multi Platform</b>	Support PS/2, SUN and USB
<b>System Cables</b>	VGA+2xPS/2 cable and USB cable both 1.8m
<b>Keyboard Mouse</b>	106 keys and 14 SUN function Keys with touch pad
<b>Sync</b>	45~80KHZ
<b>Power Source</b>	100-240 VAC input
<b>Power Consumption</b>	25W, 19.05W for Panel
<b>Temperature</b>	Operate 0° ~ 50° C / 32° ~ 122° F Storage-20° ~ 60° C / -4° ~ 140° F
<b>Humidity</b>	10%~90%RH
<b>Chassis Construction</b>	Heavy duty steel materials
<b>Keyboard Language</b>	USA, UK, German, French, Spanish, Italian, Portuguese, Dutch, Swiss, Belgium, Swedish, Norwegian, Danish, Japan, Taiwan, Russian
<b>Certification</b>	CE/FCC, UL/CUL/C-Tick

## Ordering Optional

Color (Black / Beige / OEM color)
Touch screen( USB or RS232)
DC power ( -48V~+48V with additional cost / +- 12V without additional cost)
Anti-glare protective glass
Rear bracket extension up to 1000mm
Signal cable 1.8m / 3.0m / 5.0m
Audio function
DVI interface