



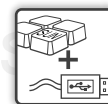
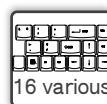
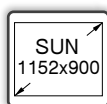
KDR-11701-SUN

1U rack mount 17" TFT console support SUN resolution

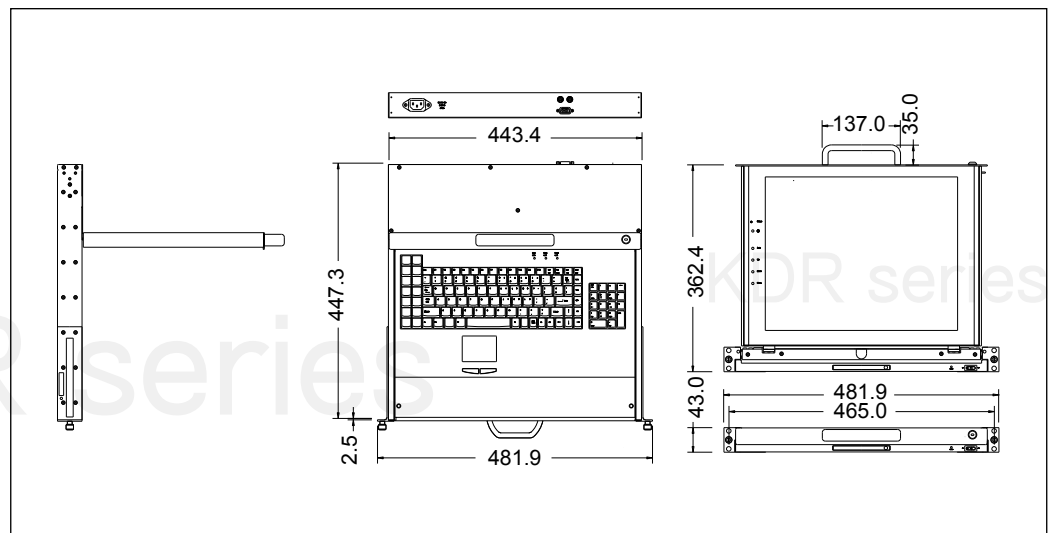
KDR-11701-SUN provide industrial level input solution to optimize your space utilization by controlling your system in just 1U rack space.

Features

- Dual Rails for independent Panel and Keyboard tray
- Hidden handle for Keyboard tray
- Support 16 various keyboard languages
- Bright Active Matrix TFT Display
- OSD function (On Screen Display) for LCD display
- Durable keyboards (touchpad)
- Panel protected by tempered glass
- Audio Function (optional)
- DC power (optional)



Dimension and diagram



Specification



Model Name	KDR-11701-SUN
Number of ports	1
Dimension	455x450x44mm/17.9x17.7x1.7in
Package Dimension	565x605x210mm/22.2x23.8x8.3in
Net Weight	11.4Kg / 25.1Lb
Gross Weight	16.4Kg / 36.1Lb
Display Size	17"
Panel Type	Active Matrix TFT LCD
Resolution Capabilities	Maximum Resolution up to 1280X1024 (SXGA)
Pixel Pitch	Supports 0.264mm x0.264mm
Viewing Angle (CR>10)	Right-Left view 60°~70° (Typ) Up-Down View 45°~60° (Typ)
Contrast Ratio	450:1
Brightness	White 250cd/m2 (Center 1 point Typ)
Back Light	Four Lamps for Back Light
Supported Colors	16.2M Colors (6-bit with FRC)
Response Time	Rising Time 2ms , Decay Time 14ms
Operating System	Dos, Windows (3.1, 9x, 2000, NT4, ME, XP, 2003 Server) Linux, Novell 3.12-6, HP UX, SUN
Multi Platform	Support PS/2, SUN and USB
System Cables	VGA+2xPS/2 cable and USB cable both 1.8m
Keyboard Mouse	106 keys and 14 SUN function Keys with touch pad
Sync	45~80KHZ
Power Source	100-240 VAC input
Power Consumption	25W, 19.05W for Panel
Temperature	Operate 0° ~ 50° C / 32° ~ 122° F Storage-20° ~ 60° C / -4° ~ 140° F
Humidity	10%~90%RH
Chassis Construction	Heavy duty steel materials
Keyboard Language	USA, UK, German, French, Spanish, Italian, Portuguese, Dutch, Swiss, Belgium, Swedish, Norwegian, Danish, Japan, Taiwan, Russian
Certification	CE/FCC, UL/CUL/C-Tick

Ordering Optional

- Color (Black / Beige / OEM color)
- Touch screen(USB or RS232)
- DC power (-48V~+48V with additional cost / +- 12V without additional cost)
- Anti-glare protective glass
- Rear bracket extension up to 1030mm
- Detachable keyboard plate
- Signal cable 1.8m / 3.0m / 5.0m
- Audio function
- DVI interface